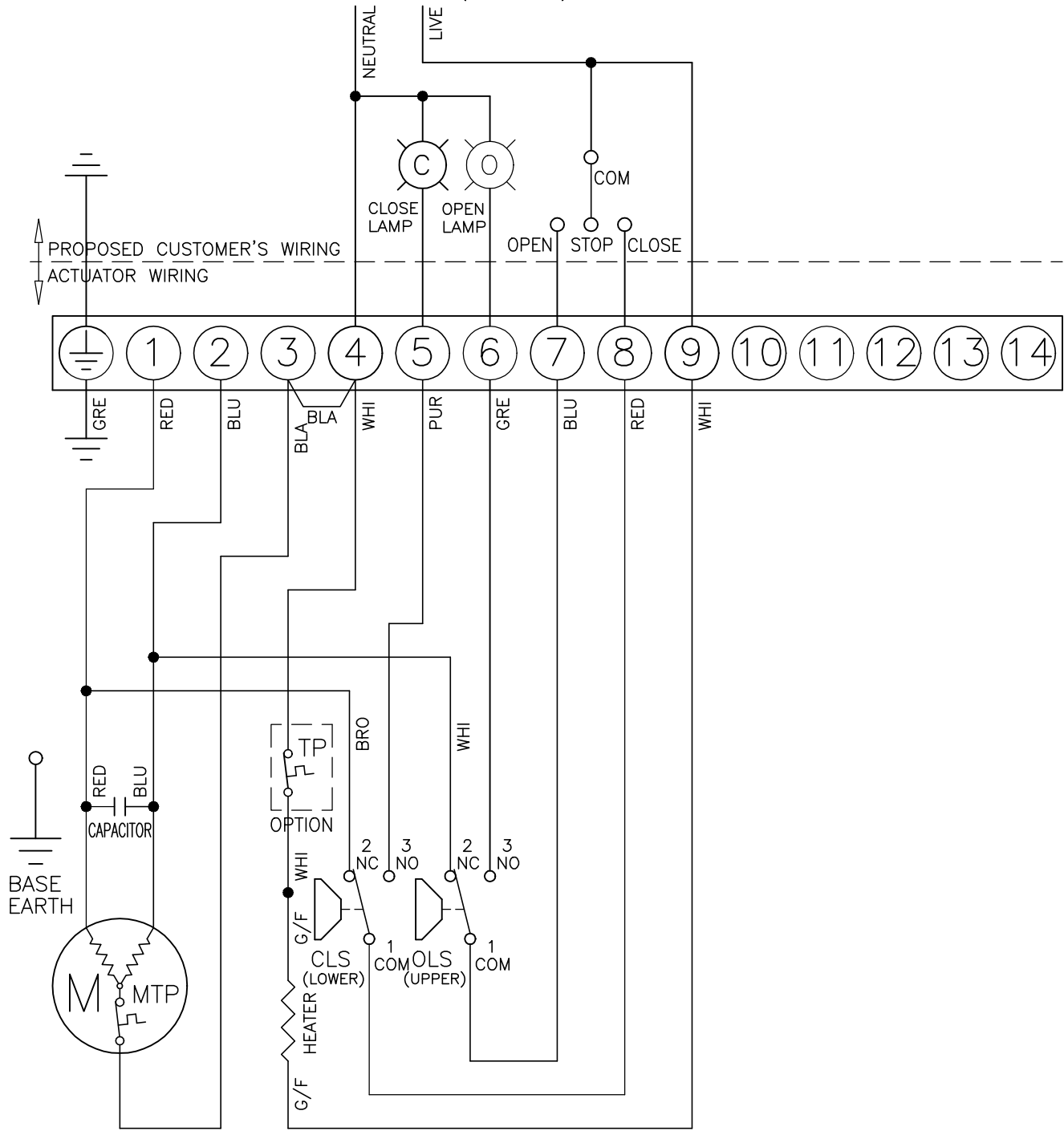


CLS : CLOSE LIMIT SWITCH (250VAC 10A)
 OLS : OPEN LIMIT SWITCH (250VAC 10A)
 TP : THERMAL PROTECTOR (250VAC 15A OPTION)
 *EACH ACTUATOR SHOULD BE POWERED THROUGH ITS OWN INDIVIDUAL SWITCH OR RELAY CONTACTS TO PREVENT CROSS FEED BETWEEN TWO OR MORE ACTUATORS.

| LIMIT SWITCHES OPERATION | | | |
|--------------------------|---------|--------------|--------|
| SWITCH | CLOSE ← | INTERMEDIATE | → OPEN |
| CLS 1-2 | | | |
| CLS 1-3 | | | |
| OLS 1-2 | | | |
| OLS 1-3 | | | |

INCOMING POWER
 AC 1PH (V)



| | | | | | |
|---|--|----------------------|------------|---------|-----------------|
| http://www.i-tork.com | | DRAWN | DESIGN | CHECKED | APPROVER |
| | | C.S.CHO | | | C.S.CHO |
| PART NAME 1PH WIRING DIAGRAM | | ISSU. DEPT. | DATE | SIZE | PROGRAM |
| | | ITCDR | 2016.10.01 | A4 | AUTOCAD LT 2010 |
| OPTION NAME STANDARD | | WIR No. | | | |
| | | IQL04-70000-F | | | |
| IQL-06 | | | | | |
| IQL-04 | | | | | |
| APP'L,FILE | | | | | |