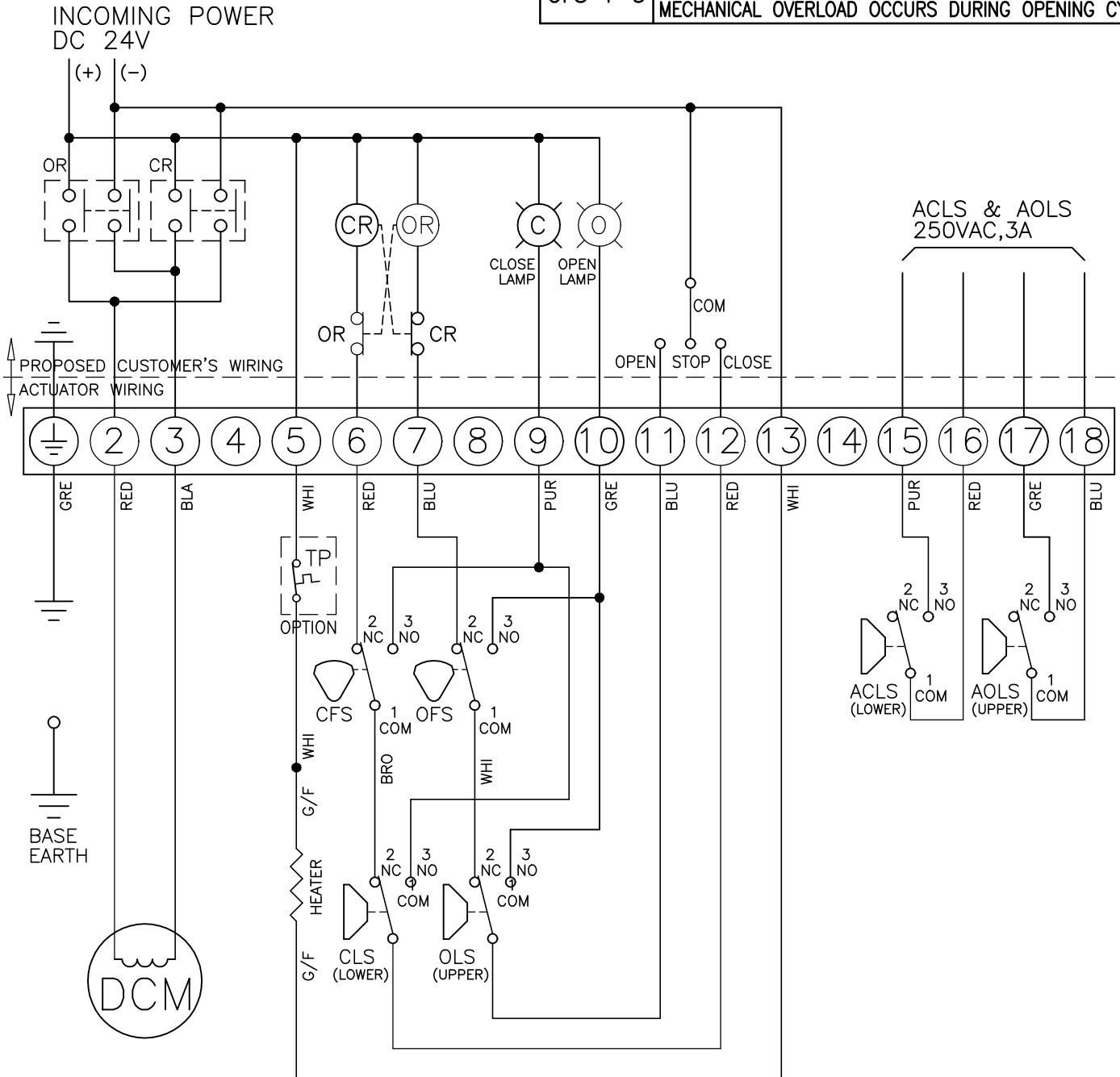


CLS : CLOSE LIMIT SWITCH (250VAC 3A)
 OLS : OPEN LIMIT SWITCH (250VAC 3A)
 CFS : CLOSE FORCE SWITCH (250VAC 10A)
 OFS : OPEN FORCE SWITCH (250VAC 10A)
 ACLS: AUX. CLOSE LIMIT SWITCH (250VAC 3A)
 AOLS: AUX. OPEN LIMIT SWITCH (250VAC 3A)
 TP : THERMAL PROTECTOR (250VAC 15A OPTION)
 *EACH ACTUATOR SHOULD BE POWERED THROUGH ITS OWN INDIVIDUAL SWITCH OR RELAY CONTACTS TO PREVENT CROSS FEED BETWEEN TWO OR MORE ACTUATORS.

FORCE AND LIMIT SWITCHES OPERATION			
SWITCH	CLOSE ←	INTERMEDIATE	→ OPEN
CLS 1-2			
CLS 1-3			
OLS 1-2			
OLS 1-3			
ACLS 1-3			
AOLS 1-3			
CFS 1-3	* CLOSING FORCE SWITCH INTERRUPTS CONTROL IF MECHANICAL OVERLOAD OCCURS DURING CLOSING CYCLE		
OFS 1-3	* OPENING FORCE SWITCH INTERRUPTS CONTROL IF MECHANICAL OVERLOAD OCCURS DURING OPENING CYCLE		



	 i-tork CONTROLS http://www.i-tork.com	DRAWN	DESIGN	CHECKED	APPROVER
		C.S.CHO			C.S.CHO
IQL-25	PART NAME DC 24V WIRING DIAGRAM OPTION NAME STANDARD	ISSU. DEPT.	DATE	SIZE	PROGRAM
IQL-20		ITCDR	2016.10.01	A4	AUTOCAD
IQL-12					LT 2010
IQL-10					
IQL-08		WIR No.			
APP'L,FILE		IQL08-90000-F			