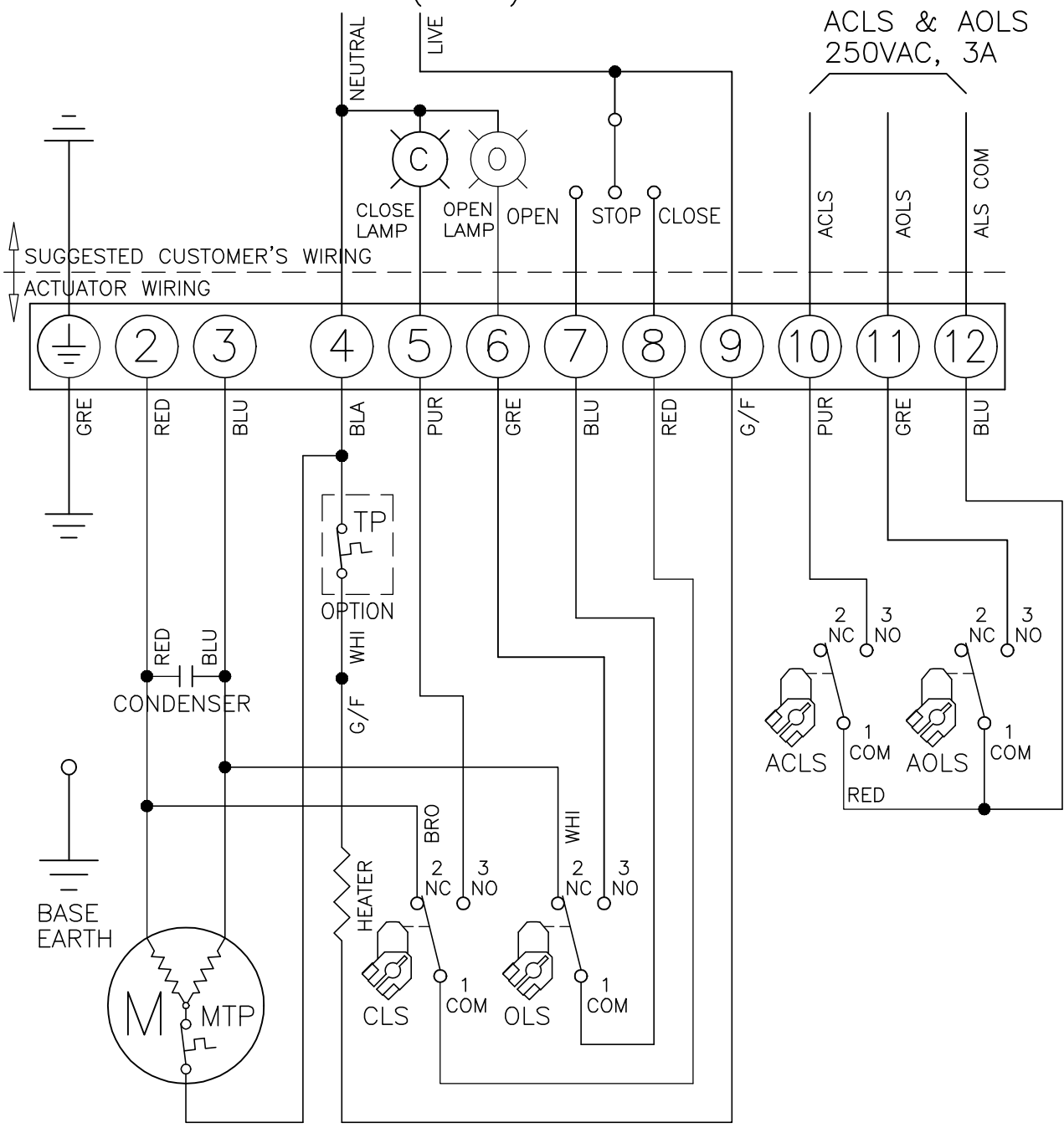


CLS : CLOSE LIMIT SWITCH (250VAC 3A)
 OLS : OPEN LIMIT SWITCH (250VAC 3A)
 ACLS : AUX. CLOSE LIMIT SWITCH (250VAC 3A)
 AOLS : AUX. OPEN LIMIT SWITCH (250VAC 3A)
 TP : THERMAL PROTECTOR (250VAC 15A OPTION)
 *EACH ACTUATOR SHOULD BE POWERED THROUGH ITS OWN INDIVIDUAL SWITCH OR RELAY CONTACTS TO PREVENT CROSS FEED BETWEEN TWO OR MORE ACTUATORS.

LIMIT SWITCHES OPERATION			
SWITCH	CLOSE ←	INTERMEDIATE	→ OPEN
CLS 1-2			
CLS 1-3			
OLS 1-2			
OLS 1-3			
ACLS 1-3			
AOLS 1-3			

INCOMING POWER
 AC 1PH (V)



 http://www.i-tork.com		DRAWN	DESIGN	CHECKED	APPROVER
		C.S.CHO			C.S.CHO
PART NAME 1PH WIRING DIAGRAM		ISSU. DEPT.	DATE	SIZE	PROGRAM
		ITCDR	2016.10.01	A4	AUTOCAD LT 2010
OPTION NAME STANDARD		WIR No.			
		ITQ0040-70000-F			
ITQ-0040					
APP'L,FILE					