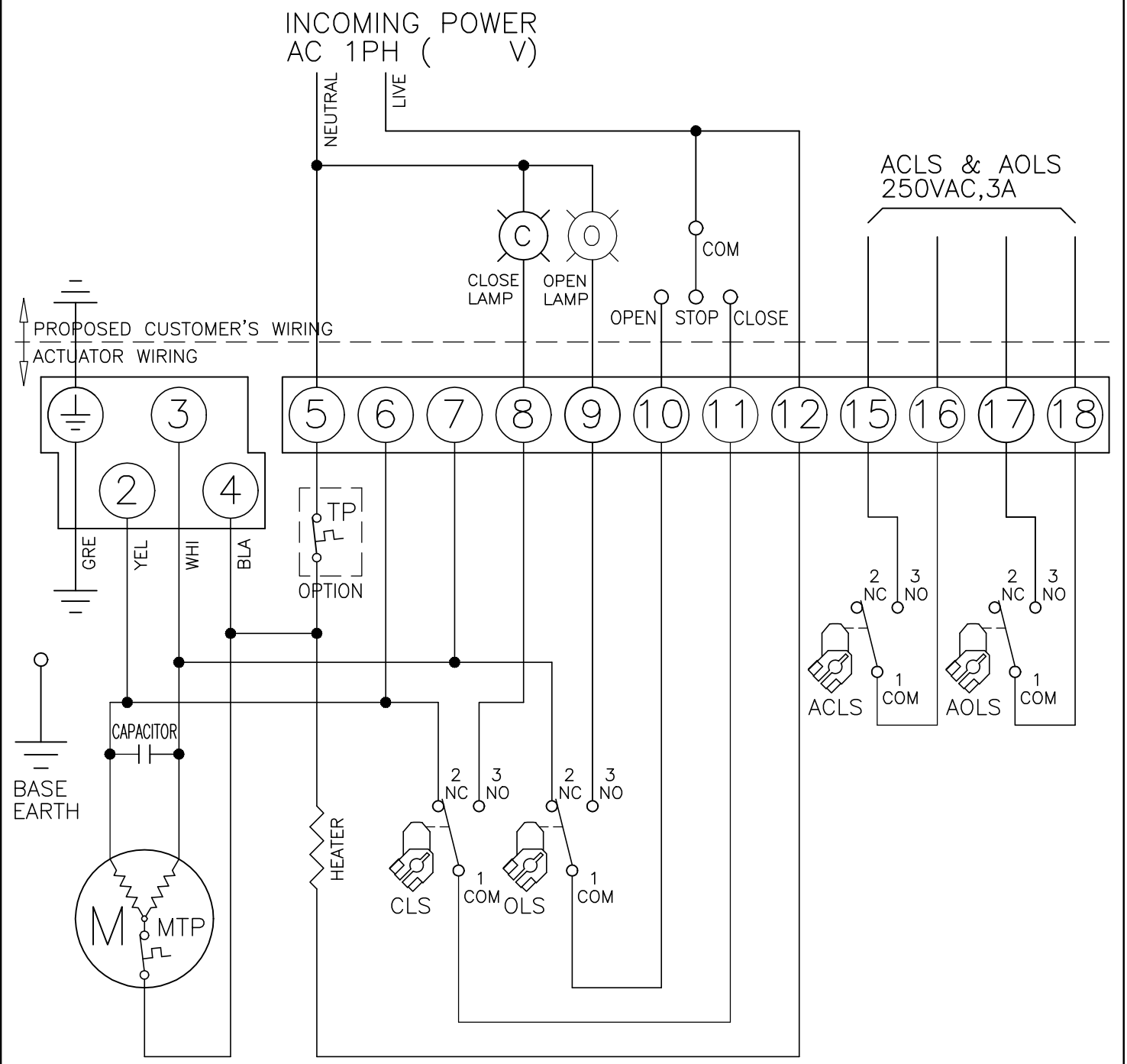


CLS : CLOSE LIMIT SWITCH (250VAC 3A)  
 OLS : OPEN LIMIT SWITCH (250VAC 3A)  
 ACLS : AUX. CLOSE LIMIT SWITCH (250VAC 3A)  
 AOLS : AUX. OPEN LIMIT SWITCH (250VAC 3A)  
 TP : THERMAL PROTECTOR (250VAC 15A OPTION)  
 \*EACH ACTUATOR SHOULD BE POWERED THROUGH ITS OWN INDIVIDUAL SWITCH OR RELAY CONTACTS TO PREVENT CROSS FEED BETWEEN TWO OR MORE ACTUATORS.

LIMIT SWITCHES OPERATION			
SWITCH	CLOSE ←	INTERMEDIATE	→ OPEN
CLS 1-2			
CLS 1-3			
OLS 1-2			
OLS 1-3			
ACLS 1-3			
AOLS 1-3			



 <a href="http://www.i-tork.com">http://www.i-tork.com</a>		DRAWN	DESIGN	CHECKED	APPROVER
		C.S.CHO			C.S.CHO
PART NAME <b>1PH WIRING DIAGRAM</b>		ISSU. DEPT.	DATE	SIZE	PROGRAM
		ITCDR	2016.10.01	A4	AUTOCAD LT 2010
OPTION NAME <b>STANDARD</b>		WIR No.			
		ITQ0080-70000-G			
ITQ-0080					
APP'L, FILE					