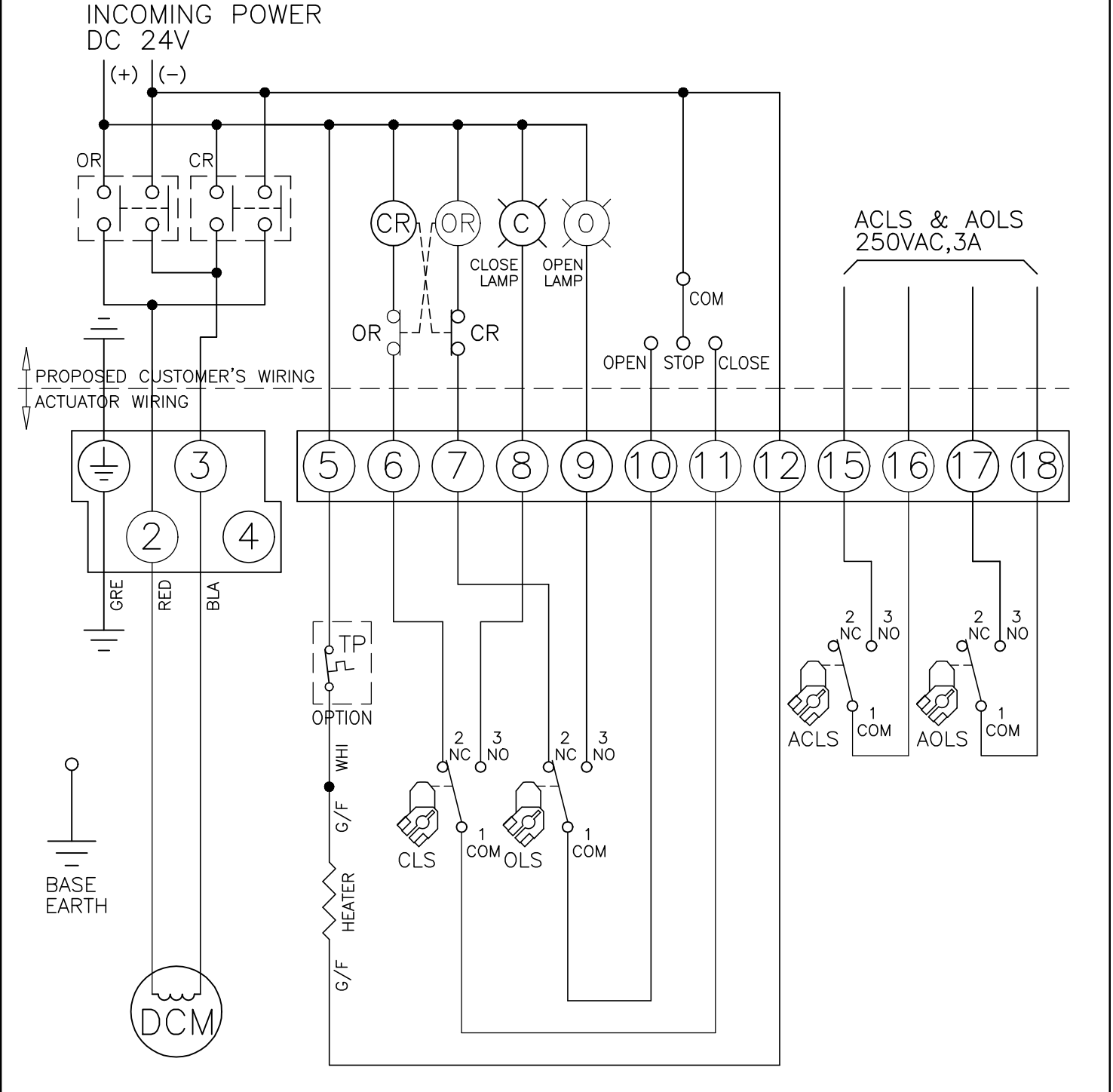


CLS : CLOSE LIMIT SWITCH (250VAC 3A)
 OLS : OPEN LIMIT SWITCH (250VAC 3A)
 ACLS : AUX. CLOSE LIMIT SWITCH (250VAC 3A)
 AOLS : AUX. OPEN LIMIT SWITCH (250VAC 3A)
 TP : THERMAL PROTECTOR (250VAC 15A OPTION)
 *EACH ACTUATOR SHOULD BE POWERED THROUGH ITS OWN INDIVIDUAL SWITCH OR RELAY CONTACTS TO PREVENT CROSS FEED BETWEEN TWO OR MORE ACTUATORS.

| LIMIT SWITCHES OPERATION | | | |
|--------------------------|---------|--------------|--------|
| SWITCH | CLOSE ← | INTERMEDIATE | → OPEN |
| CLS 1-2 | | | |
| CLS 1-3 | | | |
| OLS 1-2 | | | |
| OLS 1-3 | | | |
| ACLS 1-3 | | | |
| AOLS 1-3 | | | |



| | | | | | |
|---|--|-----------------|------------|---------|-----------------|
| http://www.i-tork.com | | DRAWN | DESIGN | CHECKED | APPROVER |
| | | C.S.CHO | | | C.S.CHO |
| PART NAME DC 24V WIRING DIAGRAM | | ISSU. DEPT. | DATE | SIZE | PROGRAM |
| | | ITCDR | 2016.10.01 | A4 | AUTOCAD LT 2010 |
| OPTION NAME STANDARD | | WIR No. | | | |
| | | ITQ0080-90000-G | | | |
| ITQ-0080 | | | | | |
| APP'L, FILE | | | | | |