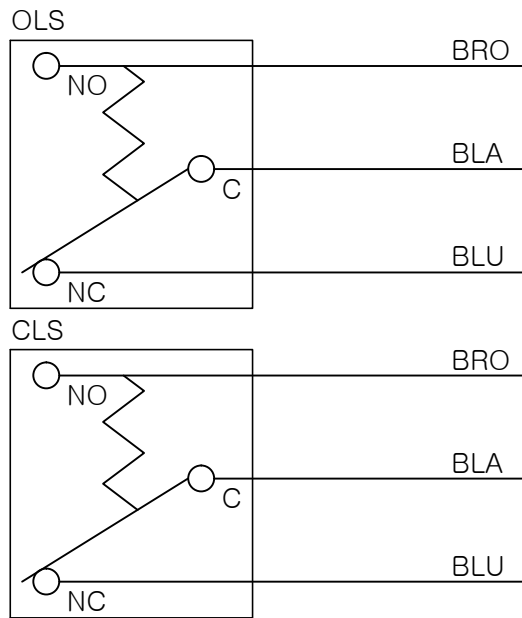
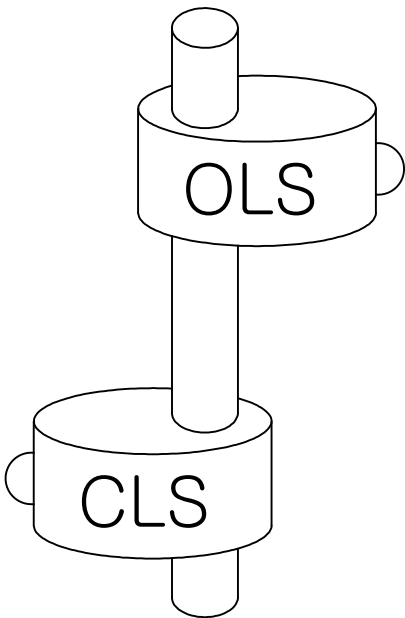
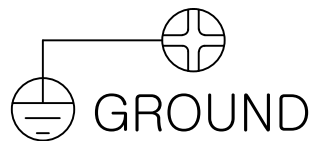



SYM	ECN NO	CHANGES	DATE	SIGN	APPR.
△					



○	EXT	7	8
○			
○			
○	OPEN	5	6
○			
○			
○	CLOSE	2	3
○			
○			
○	1	4	8
○			
○			



		 <a href="http://www.i-tork.com">http://www.i-tork.com</a>	DRAWN C.S.CHO	DESIGN C.S.CHO	CHECKED C.J.CHU	APPROVER
ITS0500			PART NAME <b>MECHANICAL SWITCHS</b>	ISSU. DEPT. ITCDR	DATE 2013.02.21	SIZE A4
ITS0300		OPTION NAME <b>2-SPDT</b>	DWG NO <b>ITS0100-75002-A</b>			
ITS0100						
APP'L,FILE						