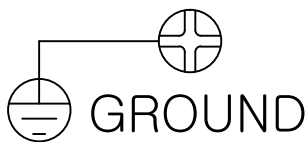
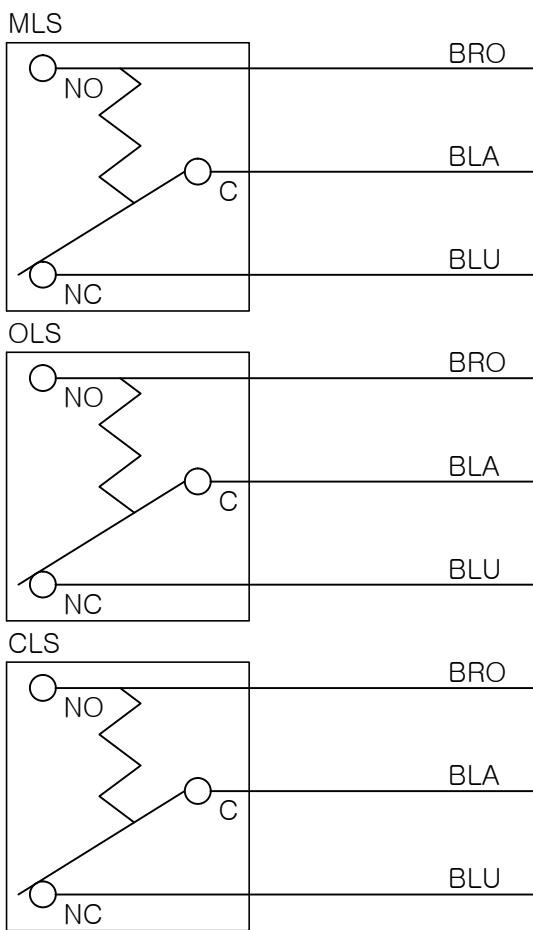
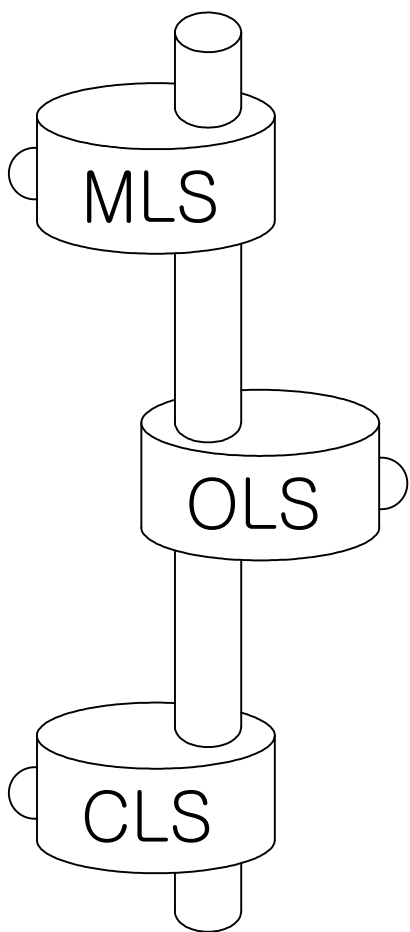


SYM	ECN NO	CHANGES	DATE	SIGN	APPR.
△					



<input type="radio"/>	EXT	10	11	12
<input type="radio"/>		INTERMEDIATE	8	9
<input type="radio"/>			OPEN	5
<input type="radio"/>	CLOSE			4
<input type="radio"/>		2		1
<input type="radio"/>				

		i-tork CONTROLS http://www.i-tork.com	DRAWN C.S.CHO	DESIGN C.S.CHO	CHECKED C.J.CHU	APPROVER
ITS0501			PART NAME MECHANICAL SWITCHES	ISSU. DEPT. ITCDR	DATE 2013.02.21	SIZE A4
ITS0301		OPTION NAME 3-SPDT	DWG NO ITS0101-75003-A			
ITS0101						
APP'L,FILE						