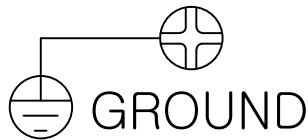
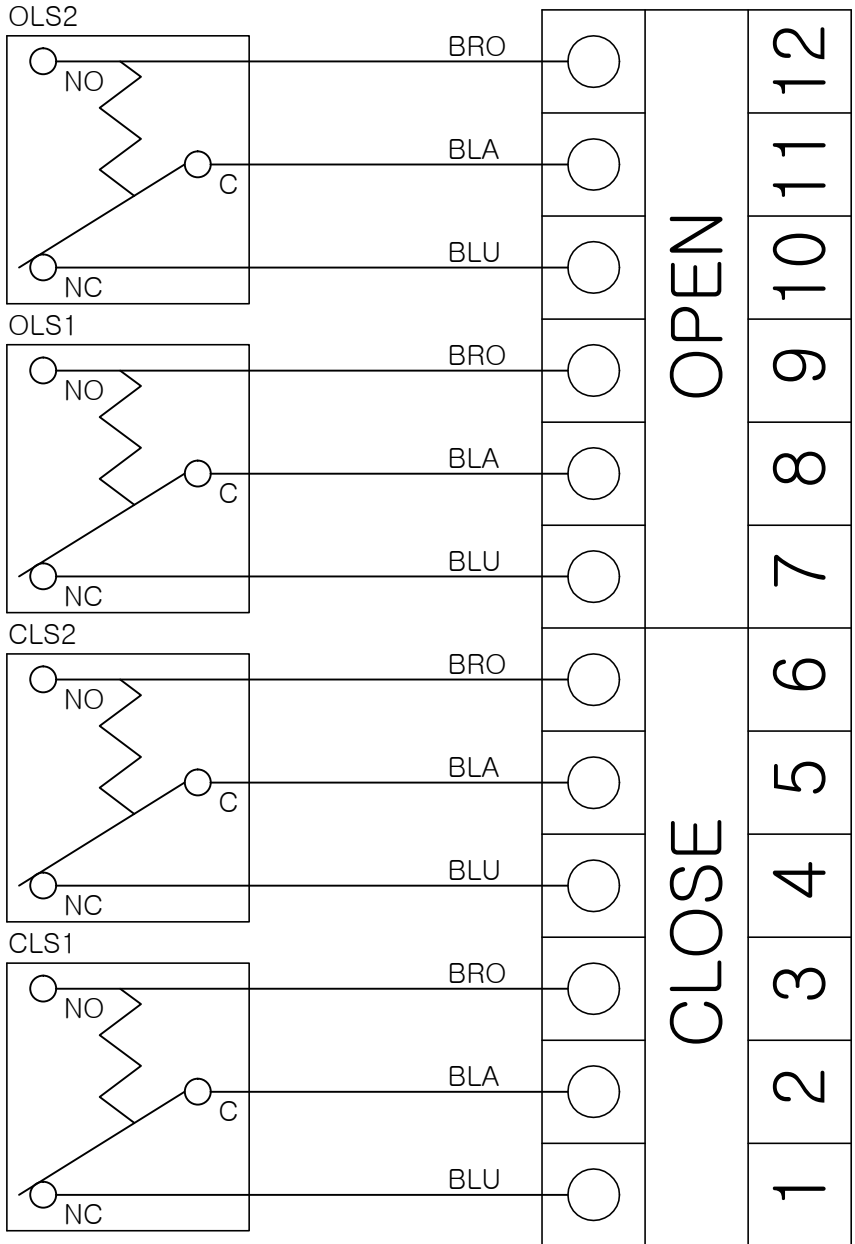
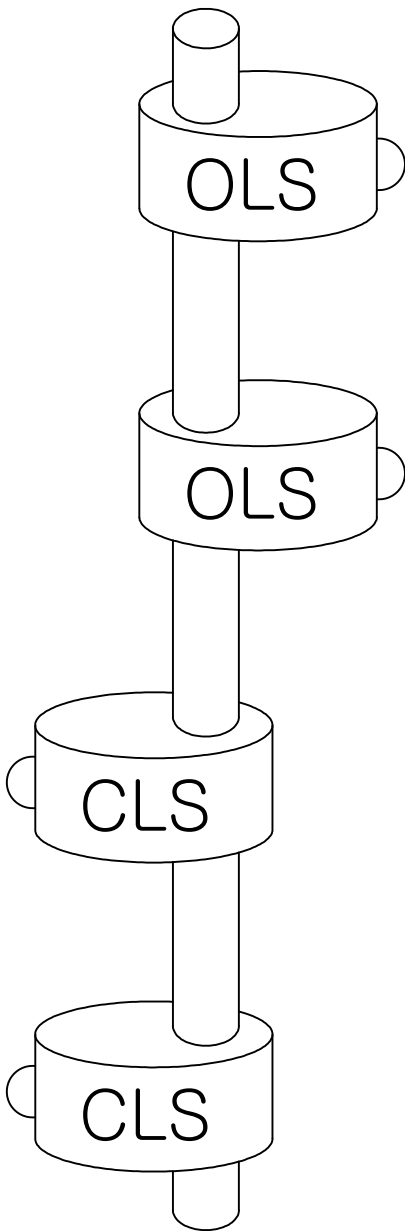


SYM	ECN NO	CHANGES	DATE	SIGN	APPR.
△					



		i-tork CONTROLS http://www.i-tork.com	DRAWN C.S.CHO	DESIGN C.S.CHO	CHECKED C.J.CHU	APPROVER
ITS0502			ISSU. DEPT. ITCDR	DATE 2013.02.21	SIZE A4	PROGRAM AUTO CAD
ITS0302		PART NAME MECHANICAL SWITCHES OPTION NAME 4-SPDT	DWG NO ITS0102-75004-A			
ITS0102						
APP'L, FILE						