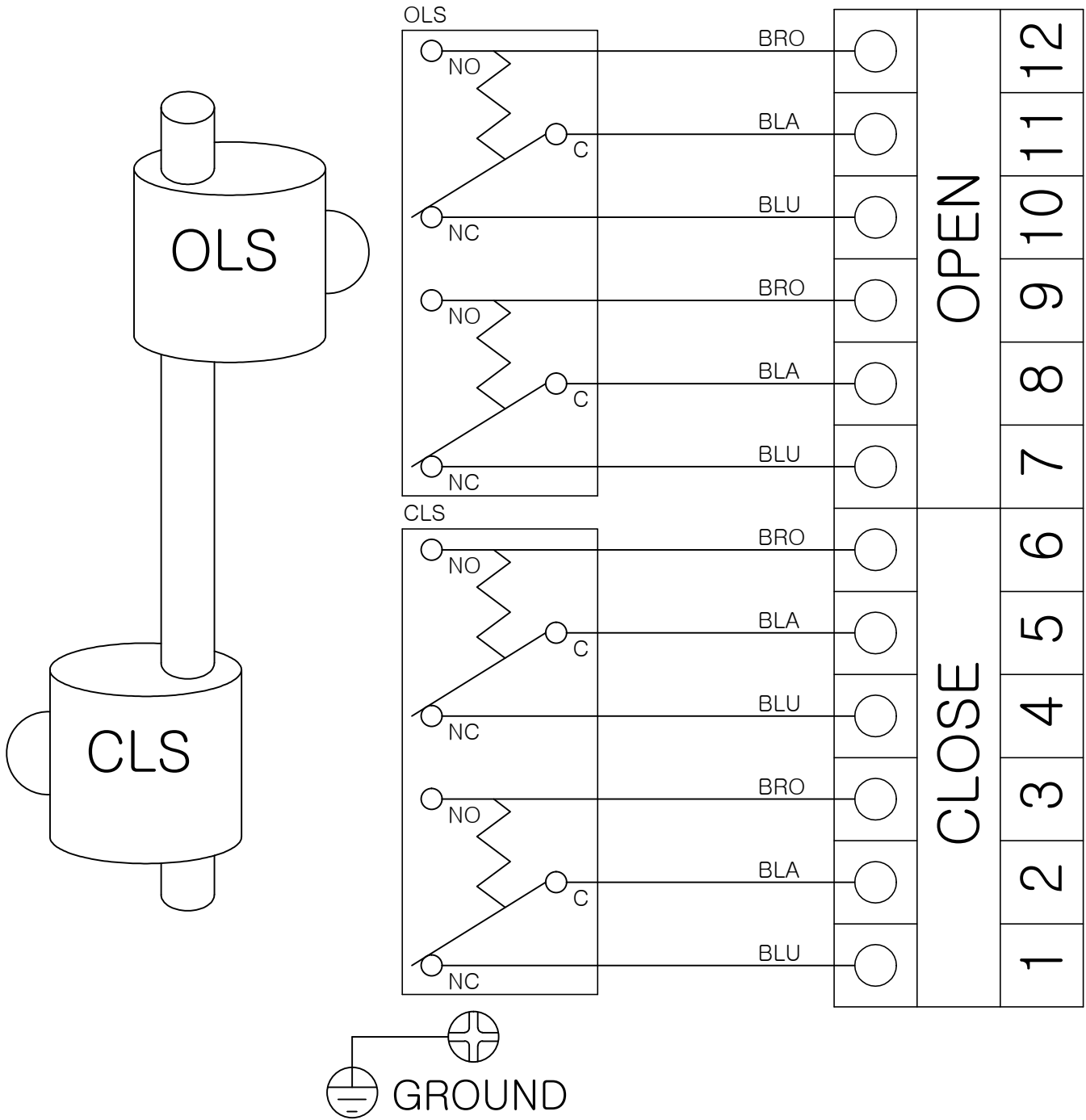


SYM	ECN NO	CHANGES	DATE	SIGN	APPR.
△					



		i-tork CONTROLS http://www.i-tork.com	DRAWN C.S.CHO	DESIGN C.S.CHO	CHECKED C.J.CHU	APPROVER
			PART NAME MECHANICAL SWITCHES	ISSU. DEPT. ITCDR	DATE 2013.02.21	SIZE A4
ITS0504		OPTION NAME 2-DPDT	DWG NO ITS0304-75502-A			
ITS0304						
APP'L,FILE						